

CAM Express – Mill-turn Machining

Benefits

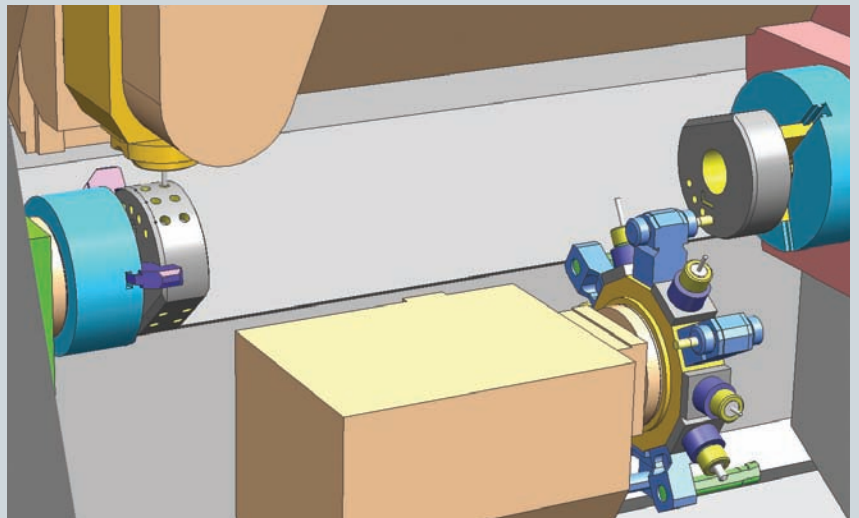
- Easy to use
- Easy to deploy
- Low cost of ownership
- Ability to work with any CAD data
- Verification and simulation in programming environment facilitated by integrated system
- Postprocessor integrated and accessible to user
- Multi-channel machining support for multi-function turning centers

Features

- Single in-process workpiece between milling and turning
- Full tool library
- Machining data libraries
- Flexible operation navigator
- Shop documentation

Summary

CAM Express software is an in-depth, highly flexible system that allows users to maximize the value of their investments in the latest, most efficient and most capable machine tools. The Mill-turn Machining package has all the components needed to effectively program multi-function equipment like mill-turn combination machines. Multi-turret and multi-spindle turning centers can be easily synchronized, with full visualization and timing comparisons.



Synchronization

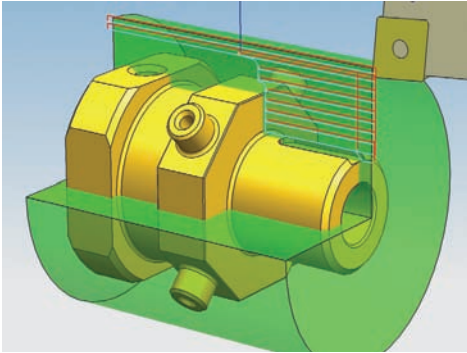
You can harness the power of multi-function machine tools by graphically displaying an unlimited number of channels, with scrolling codes for choosing formats and time displays and functions for adding wait and sync codes. The Synchronization Manager is directly linked to the internal postprocessor and runs from posted output to facilitate the greatest accuracy.

CAM EXPRESS

www.siemens.com/plm/camexpress

SIEMENS

CAM Express – Mill-turn Machining



Machining simulation

You can leverage integrated machine tool simulation in CAM Express to avoid tying up machines during unproductive tryouts. CAM Express facilitates a more complete simulation than most systems with its machine code driven motion. Special tools are provided to build complete kinematic machine tool models.

Turning

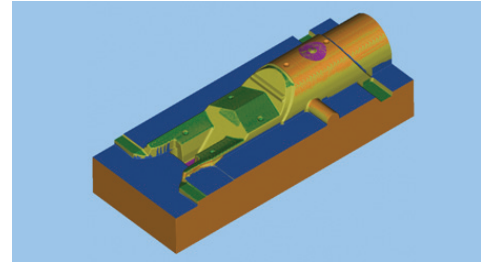
CAM Express provides a complete solution that is easy enough to use on simple programs and capable enough to tackle your toughest geometry in multi-spindle, multi-turret applications.

2½-axis milling

2½-axis roughing patterns can be applied based on basic boundary data or solid geometry. Zigzag, offset and plunge milling are examples of the toolpaths provided. High-speed roughing toolpaths, including trochoidal toolpaths, are available here. Feature-based machining functions automate the identification and programming of slots and faces.

Drilling

CAM Express addresses drilling, reaming, boring, tapping, peck drilling and custom cycles. Automated hole making is available with the feature-based machining options.



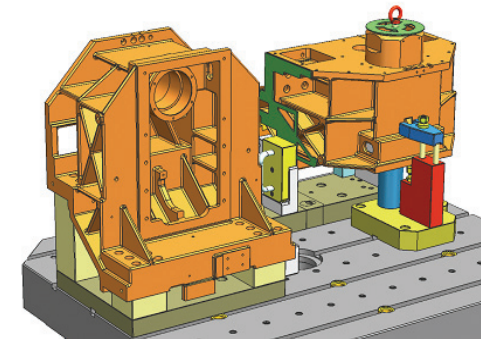
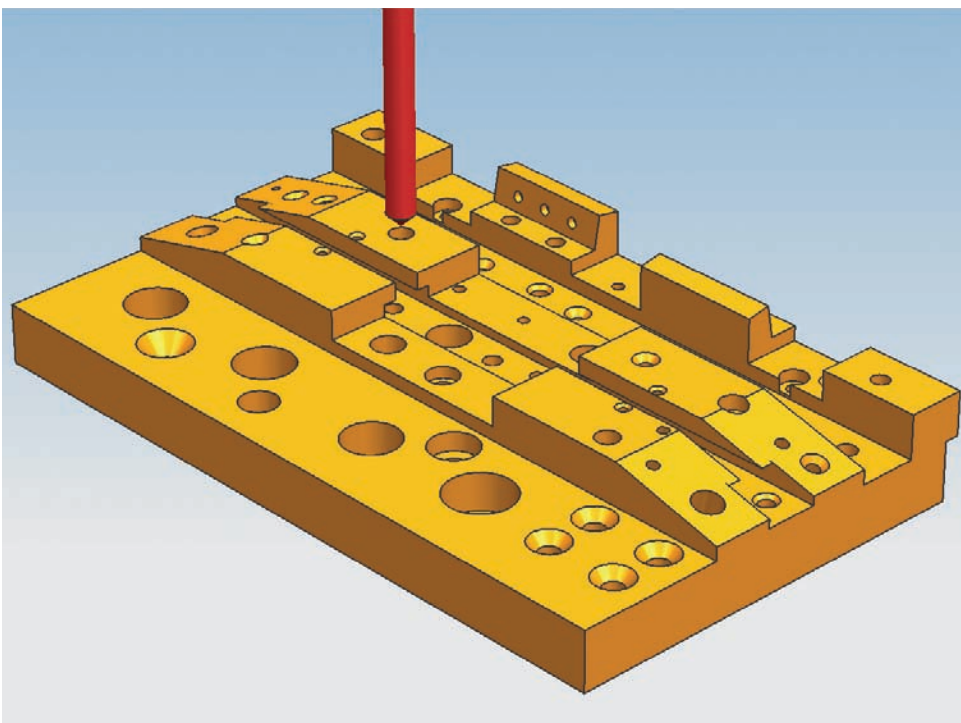
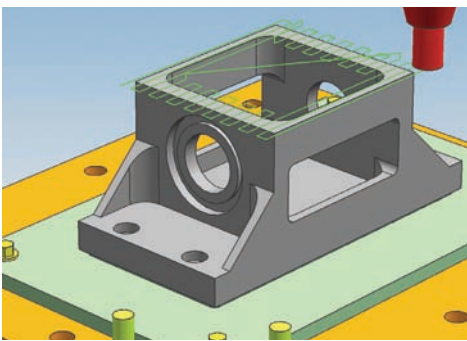
Comprehensive foundation – CAM Express includes extensive support functions that add substantial value

Toolpath verification

CAM Express features dynamic pan and zoom during playback and visual display of material removal.

Geometry modeling and translation

CAM Express includes basic geometry creation and a collection of standard translators. You can use assembly modeling tools to assemble a detailed machine environment or to position parts and fixtures.



Libraries

Tools, machines, cutting parameters, templates and posts are all organized for effective re-use and easy selection.

Machining parameter data is automatically drawn from the library as operations are created.



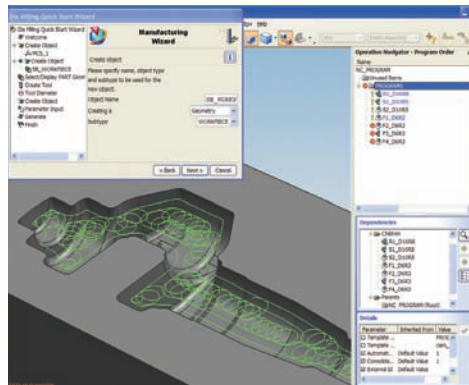
Wizards

CAM Express comes with the drag-and-drop wizard builder.

Integrated postprocessing

CAM Express includes a graphical post builder capability. Simple menu selections are all that is needed to build or edit a postprocessor.

CAM Express automatically generates shop documentation, including setup sheets, operations sequence information and tool lists.



Contact
Siemens Industry Software
Americas +1 800 807 2200
Europe +44 (0) 1202 243455
Asia-Pacific +852 2230 3308

www.siemens.com/plm/camexpress

© 2011 Siemens Product Lifecycle Management Software Inc. All rights reserved. Siemens and the Siemens logo are registered trademarks of Siemens AG. D-Cubed, Femap, Geolus, GO PLM, I-deas, Insight, JT, NX, Parasolid, Solid Edge, Teamcenter, Tecnomatix and Velocity Series are trademarks or registered trademarks of Siemens Product Lifecycle Management Software Inc. or its subsidiaries in the United States and in other countries. All other logos, trademarks, registered trademarks or service marks used herein are the property of their respective holders.
X11 8192 8/11 C